

GUIDE VALVE LIMITED

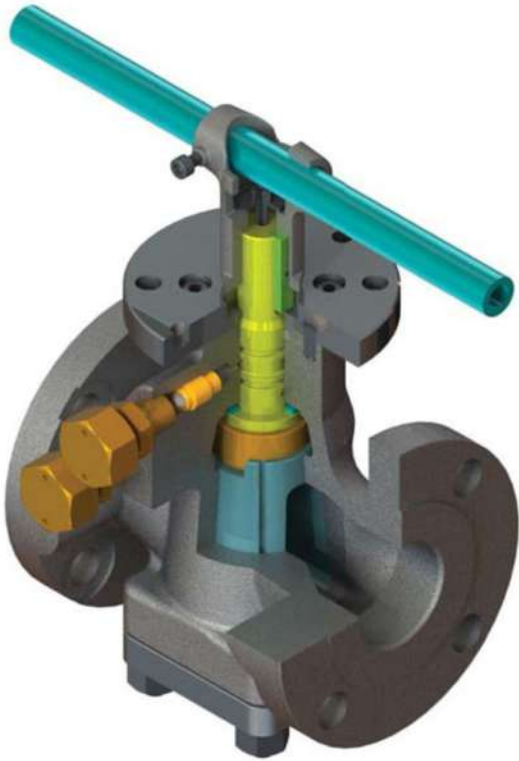
GVS® Pressure Balanced
Lubricated Plug Valves



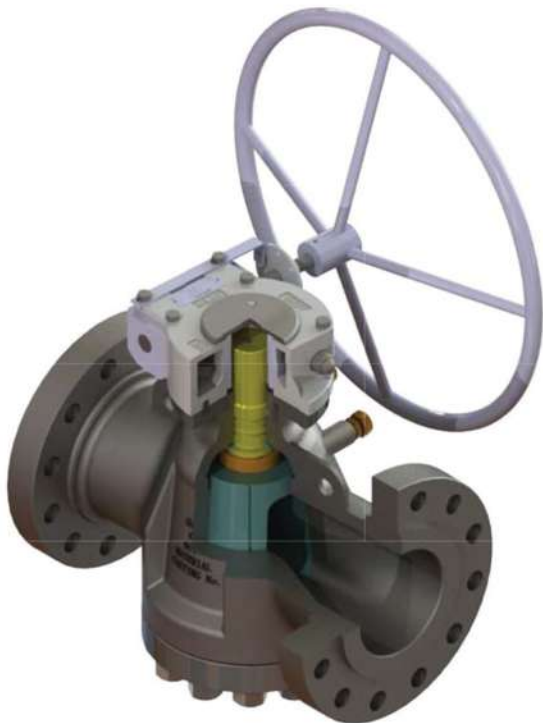
www.gvs-vci.com



PRODUCT SERIES
PRESSURE BALANCED LUBRICATED PLUG VALVES



Model **P1** - Short Pattern



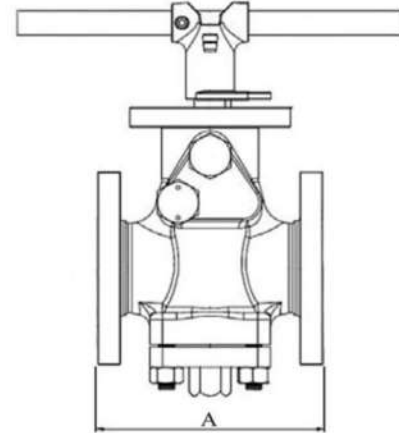
Model **P1** - Regular & Venturi Pattern



P1 - SHORT & VENTURI PATTERN - DIMENSIONS

Short Pattern ANSI 150

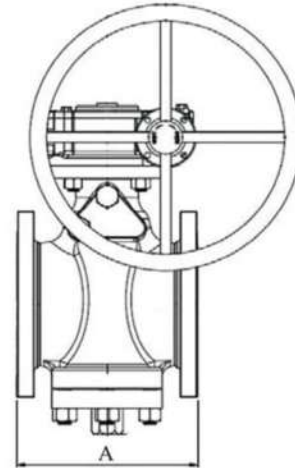
VALVE SIZE	MIN BORE SIZE		RF			WEIGHT	
			RTJ	BW	RF/RTJ	BW	
NPS	B	PORT	A				
inch	inch	%	inch	inch	inch	lbs	lbs
2*	2	80	7.0	7.5	10.5	37.5	34.2
3*	3	70	8.0	8.5	13.0	59.5	50.7
4	4	80	9.0	9.5	14.0	125.7	110.3
6	6	45	10.5	11.0	18.0	147.7	119.1
8	8	40	11.5	12.0	20.5	238.1	176.4
10	10	40	13.0	13.5	22.0	463.1	407.9
12	12	40	14.0	14.5	25.0	727.7	650.5



ANSI 300

VALVE SIZE	MIN BORE SIZE		RF			WEIGHT	
			RTJ	BW	RF/RTJ	BW	
NPS	B	PORT	A				
inch	inch	%	inch	inch	inch	lbs	lbs
2*	2	80	8.5	9.1	10.5	44.1	37.5
3*	3	70	11.1	11.7	13.0	83.8	70.6
4	4	80	12.0	12.6	14.0	165.4	136.7
6	6	45	15.9	16.5	18.0	260.2	216.1
8	8	40	16.5	17.1	20.5	396.9	326.3
10	10	40	18.0	18.6	22.0	595.4	485.1
12	12	40	19.8	20.4	25.0	860.0	705.6

* Lever operated.



Venturi Pattern ANSI 150

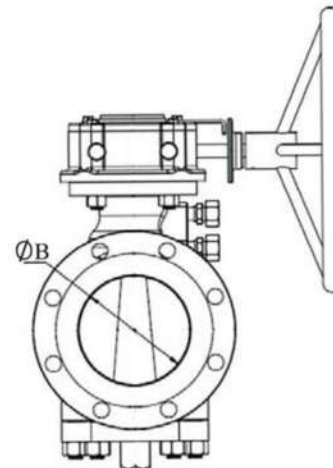
VALVE SIZE	MIN BORE SIZE		RF			WEIGHT	
			RTJ	BW	RF/RTJ	BW	
NPS	B	PORT	A				
inch	inch	%	inch	inch	inch	lbs	lbs
16	15.3	40	30.0	30.5	30.0	1587.6	1389.2
20	19.3	40	36.0	36.5	36.0	2425.5	2116.8
24	23.3	40	42.0	42.5	42.0	3969.0	3638.3
30	29.0	40	51.0	51.5	51.0	7056.0	6218.1

ANSI 300

VALVE SIZE	MIN BORE SIZE		RF			WEIGHT	
			RTJ	BW	RF/RTJ	BW	
NPS	B	PORT	A				
inch	inch	%	inch	inch	inch	lbs	lbs
16	15.3	40	33.0	33.6	33.0	1764.0	1466.3
20	19.3	40	39.0	39.8	39.0	2866.5	2535.8
24	23.3	40	45.0	45.9	45.0	4630.5	4189.5
30	29.0	40	55.0	56.0	55.0	9261.0	7497.0

ANSI 600

VALVE SIZE	MIN BORE SIZE		RF			WEIGHT	
			RTJ	BW	RF/RTJ	BW	
NPS	B	PORT	A				
inch	inch	%	inch	inch	inch	lbs	lbs
16	15.3	40	39.0	39.1	39.0	2315.3	1808.1
20	19.3	40	47.0	47.2	47.0	4410.0	3528.0
24	23.3	40	55.0	55.4	55.0	7056.0	5733.0
30	29.0	40	65.0	65.5	65.0	13450.5	11466.0



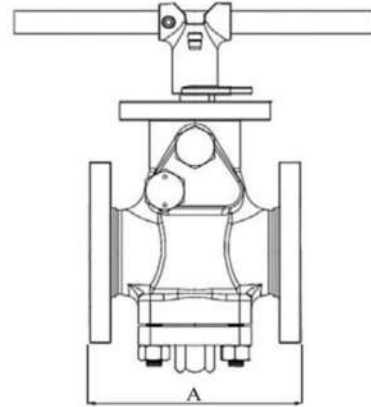


P1-REGULAR & VENTURI PATTERN-DIMENSIONS

Regular Pattern

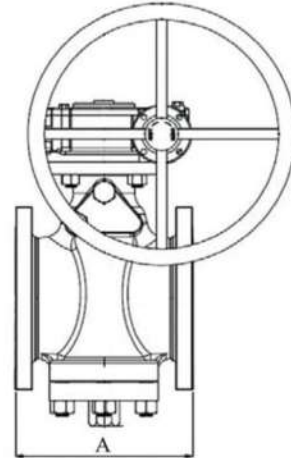
ANSI 600

VALVE SIZE	MIN BORE SIZE					WEIGHT	
	B	PORT	RF	RTJ	BW	RF/RTJ	BW
NPS	inch	%	inch	inch	inch	lbs	lbs
2*	2.0	80	11.5	11.6	11.5	61.7	48.5
3*	3.0	80	14.0	14.1	14.0	119.1	99.2
4	4.0	80	17.0	17.1	17.0	242.6	185.2
6	6.0	60	22.0	22.1	22.0	485.1	374.9
8	8.0	60	26.0	26.1	26.0	829.1	674.7
10	10.0	60	31.0	31.1	31.0	1367.1	1113.5
12	12.0	60	33.0	33.1	33.0	1830.2	1455.3
16	15.3	60	39.0	39.1	39.0	2778.3	2271.2
20	19.3	60	47.0	47.2	47.0	5292.0	4410.0
24	23.3	60	55.0	55.4	55.0	8467.2	7144.2
30	29.0	60	65.0	65.5	65.0	16140.6	14156.1



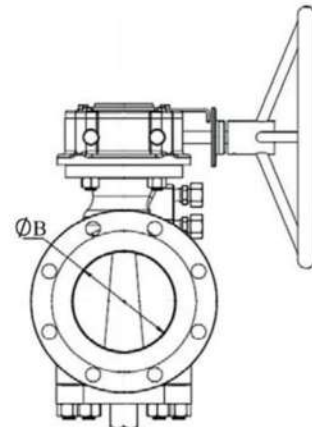
ANSI 900

VALVE SIZE	MIN BORE SIZE					WEIGHT	
	B	PORT	RF	RTJ	BW	RF/RTJ	BW
NPS	inch	%	inch	inch	inch	lbs	lbs
2*	2.0	80	14.5	14.6	14.5	105.8	75.0
3	3.0	80	15.0	15.1	15.0	200.7	167.6
4	4.0	80	18.0	18.1	18.0	412.3	368.2
6	6.0	60	24.0	24.1	24.0	606.4	441.0
8	8.0	60	29.0	29.1	29.0	1036.4	846.7
10	10.0	60	33.0	33.1	33.0	1719.9	1455.3
12	12.0	60	38.0	38.1	38.0	2315.3	1631.7
16	14.7	60	44.5	44.9	44.5	3506.0	2822.4
20	18.6	60	52.0	52.5	52.0	5225.9	4321.8
24	22.5	60	61.0	61.7	61.0	10407.6	9261.0



ANSI 1500

VALVE SIZE	MIN BORE SIZE					WEIGHT	
	B	PORT	RF	RTJ	BW	RF/RTJ	BW
NPS	inch	%	inch	inch	inch	lbs	lbs
2*	2.0	80	14.5	14.6	14.5	105.8	75.0
3	2.9	85	18.5	18.6	18.5	202.9	154.4
4	3.9	85	21.5	21.6	21.5	348.4	264.6
6	5.7	60	27.8	28.0	27.8	696.8	573.3
8	7.6	60	32.8	33.1	32.8	1256.9	1212.8
10	9.4	60	39.0	39.4	39.0	2138.9	1686.8
12	11.3	60	44.5	45.1	44.5	3594.2	2866.5
16	14.2	60	54.5	55.4	54.5	6791.4	5556.6
20	17.9	60	65.5	66.4		8290.8	6063.8
24	21.5	60	76.5	77.6		12083.4	7982.1



ANSI 2500

VALVE SIZE	MIN BORE SIZE					WEIGHT	
	B	PORT	RF	RTJ	BW	RF/RTJ	BW
NPS	inch	%	inch	inch	inch	lbs	lbs
2	1.7	60	17.8	17.9	17.8	180.8	143.3
3	2.4	60	22.8	23.0	22.8	352.8	231.5
4	3.4	60	26.5	26.9	26.5	573.3	385.9
6	5.2	60	36.0	36.5	36.0	1411.2	1036.4
8	7.1	60	40.2	40.9	40.2	2976.8	2304.2
10	8.8	60	50.0	50.9	50.0	4806.9	3572.1
12	10.4	60	56.0	56.9	56.0	6813.5	4939.2

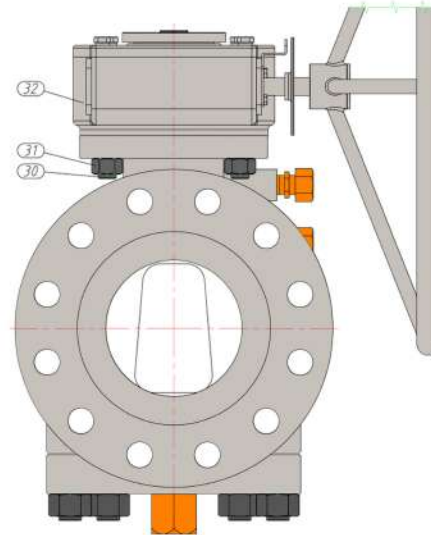
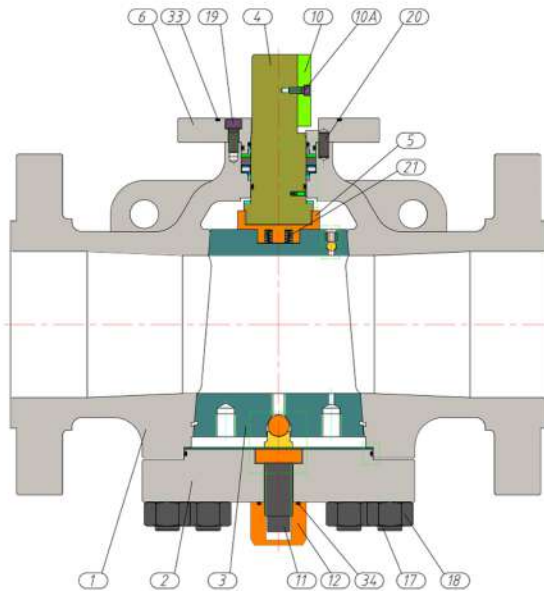
* Lever operated.

Additional Sizes Available

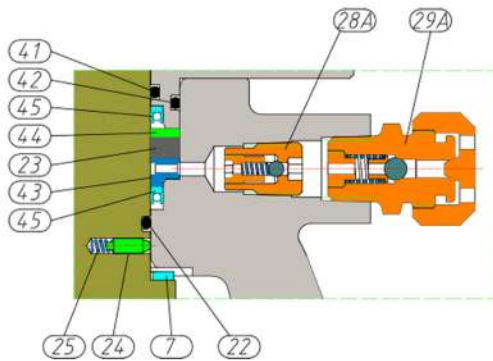


DESIGN FEATURES

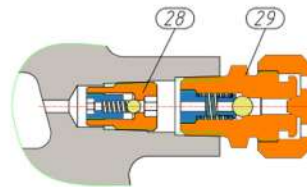
STANDARD:
DESIGN STANDARD API 6D & API 599
END CONNECTION: ANSI B16.5 RF
PRESSURE TEST: API 6D



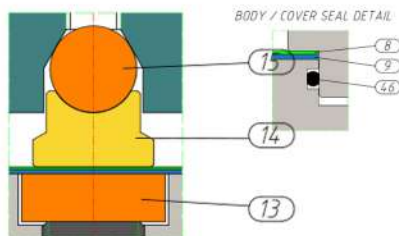
Position	Part Description	Remark
1	Body	
2	Cover	
3	Plug	
4	Stem	
5	Equalizer	
6	Top stop flange	
7	Thrust washer	
8	Upper seal disk	
9	Lower seal disk	
10	Key	
10A	Capscrew	
11	Push rod	
12	Push rod cap	
13	Bottom support	
14	Lower support	
15	Upper support ball	
17	Stud	
18	Nut	
19	Capscrew	
20	Pin	
21	Spring	
22	O-ring	
23	Fire safe seal	
24	Artistic piston	
25	Spring	
26	Balance screw	
27	Balance ball	
28	Inner check valve	
28A	Inner check valve	
29	Grease fitting	
29A	Grease fitting	
30	Stud	
31	Nut	
32	Gear box	
33	O-ring	
34	O-ring	
41	O-ring	
42	O-ring	
43	Packing spacer	
44	Gland ring	
45	Lipseal	
46	O-ring	for class 600 and above



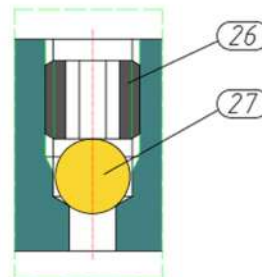
STEM SEAL SUB-ASSEMBLY DETAIL



BODY GREASE FITTING SUB-ASSEMBLY DETAIL



CENTERING ADJUSTMENT DEVICE DETAIL



PRESSURE BALANCE DEVICE DETAIL

FEATURES

- Design according to API 6D, API 599, and CSA Z245,15-17
- NACE MR0175 SOUR - Available
- Firesafe certified to ANSI / API 607, ISO 10497:2010 and API 6FA
- Anti-static devices
- R.T Standard
- Available in RF, RTJ and BW ends
- Pressure balancing device
- Centering adjustment device
- Anti-blow out stem design
- Stem emergency grease fitting
- Available in short, venturi and regular patterns
- Fugitive Emission Certified to API Standard 641

